



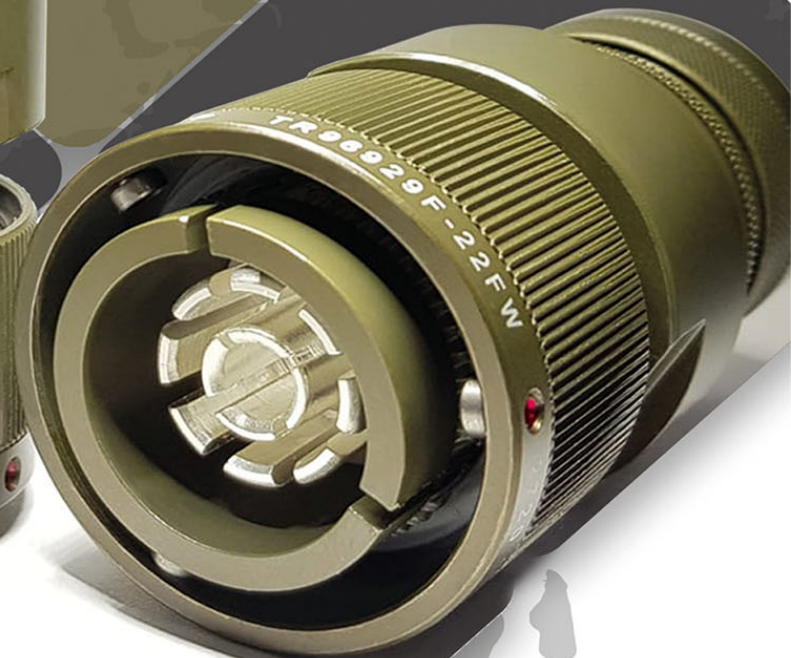
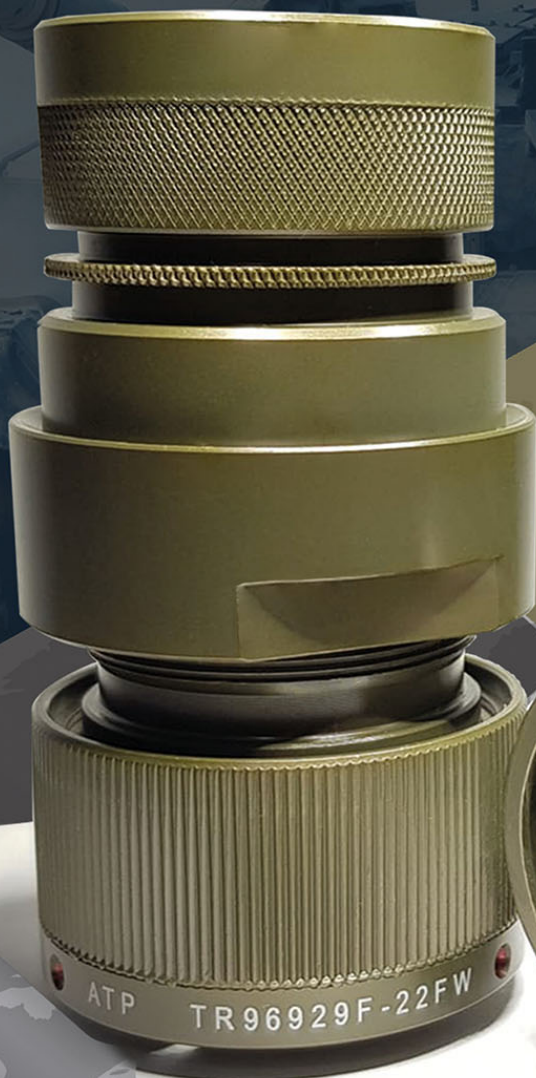
VG96929 STYLE HIGH POWER / LOW VOLTAGE CONNECTORS

ATP DEFENSE

© 2026

AS 9100

Quality System



SCAN TO
Review Products on Website

NCAGE CODE: TD589
www.atpsavunma.com



TR96929 Bayonet-Lock Connectors



Connecting Technology with Confidence

Table of Contents

Technical Data	1
Connector Design	3
Insert Arrangements.	3
How to Order	4
Box Mounting Receptacle	6
Wall Mounting Receptacle	7
90° Plug.	8
Straight Plug	9
Cable Connecting Plug.	10
Crimp Contacts	11
Threaded Contacts	12
Dust Cap for Plug & Receptacle	13
Part Number Equivalents	14

TECHNICAL DATA

Mechanical Data

Admissible ambient temperature	-55° C to +150° C
Class	IP 67 according to DIN 40050 Test pressure: 1 bar over pressure Test duration: 16 hours
Vibration	200 m/s ² for 16 to 2000 Hz
Mechanical Durability	500 mating cycles

Coupling Torque

Shell Size	16	18	22	28	32
Opening and Closing Max. (Nm)	5.5	8.0	11.0	17.0	19.0
Opening Min. (Nm)	0.5	0.6	0.8	0.9	1.0

Contact Retention

Contact Size	16	18	22	28	32
Test Force Min.	100N	120N	140N	160N	200N

Electrical Data

Contact Rating

Shell Size	16	18	22	28	32
Contact Size(mm ²)	25	50	95	150	240
Max Current rating (amps at 125° C ambient emperature)	250	300	500	650	1000
Max short-time load approximate 0,5 - 1 sec. (amps)	750	1000	2000	3000	5000

Contact Resistance

Contact Size(mm ²)	25	50	95	150	240
Contact Resistance (mOhm max)	0,6	0,3	0,15	0,1	0,7

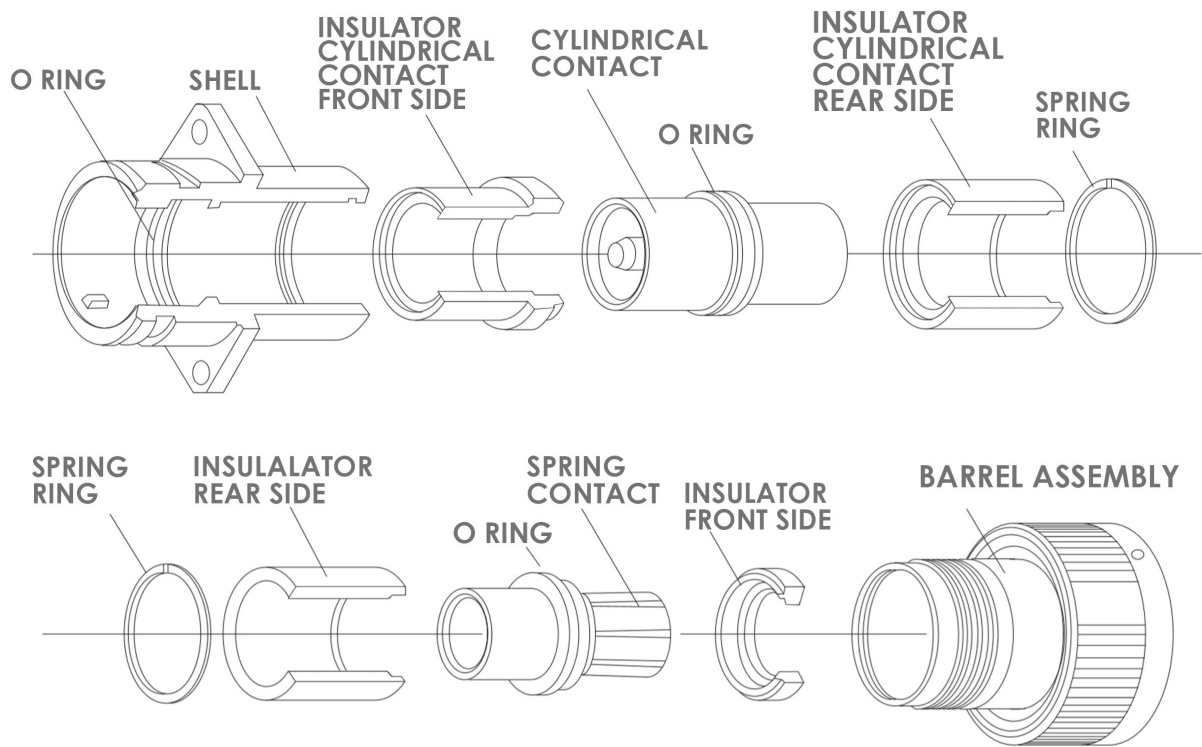
Insulator Resistance

min 5 GOhm

Materials and Finishes

Shell	Aluminum Alloy
Finish	Olive Chromate over cadmium
Insulator	PTFE
Contact	Copper and copper alloy
Finish	Hard Silver
O-Rings	Viton, Silicon

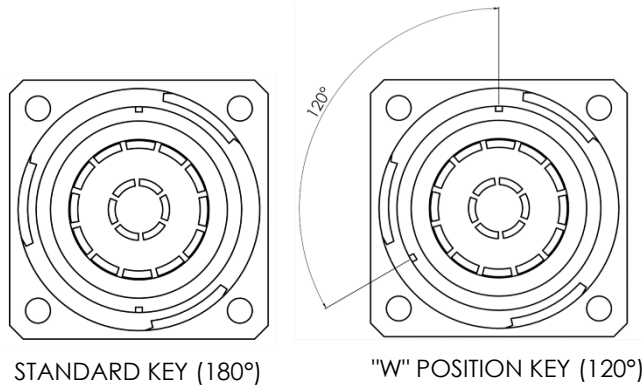
Connector Design



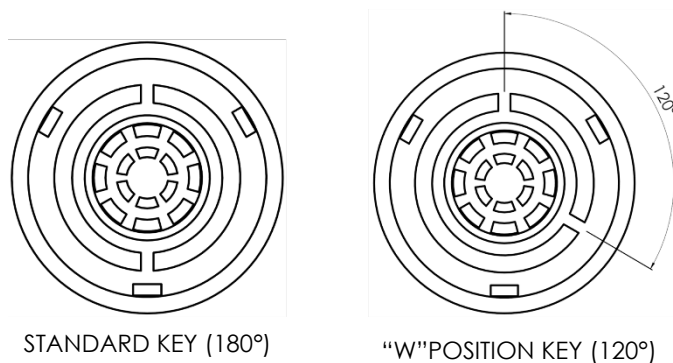
INSERT ARRANGEMENTS

KEYWAY POSITION (POLARIZATION)

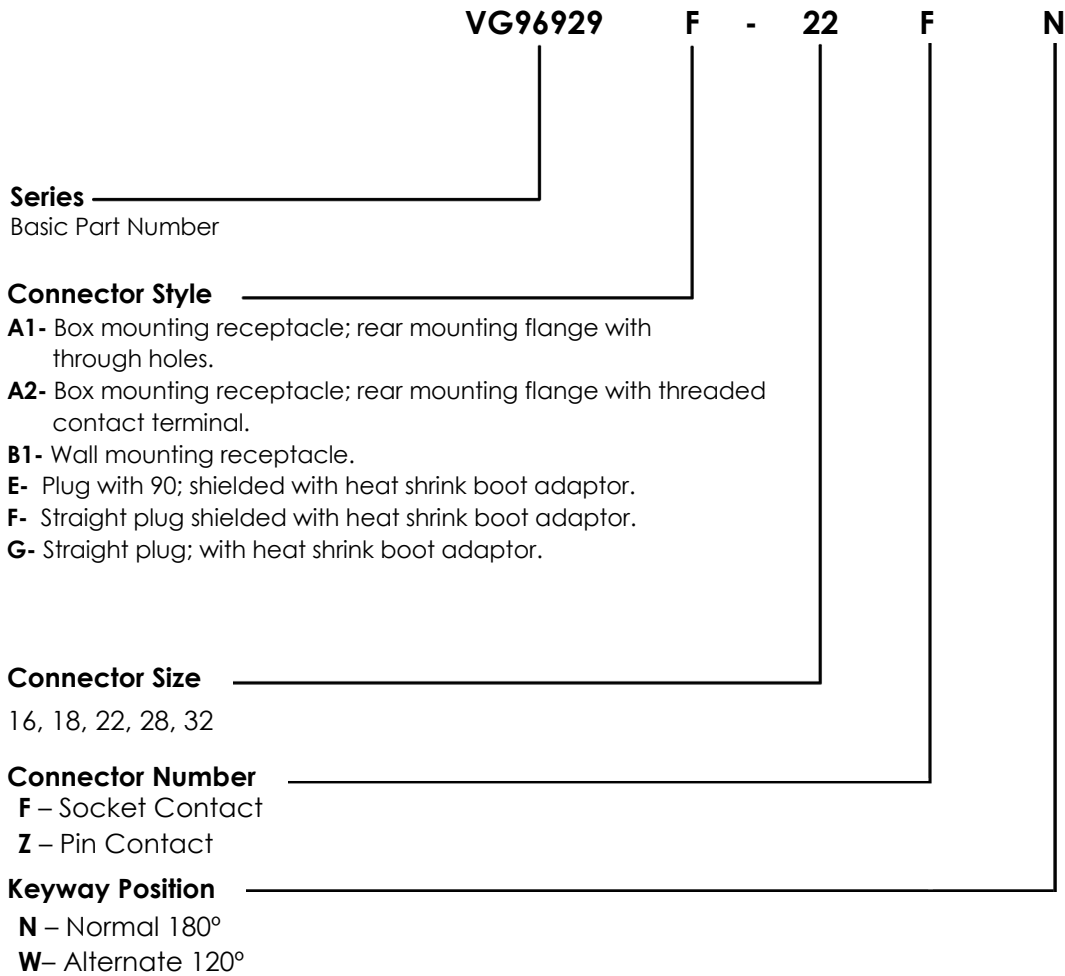
RECEPTACLE MATING SIDE



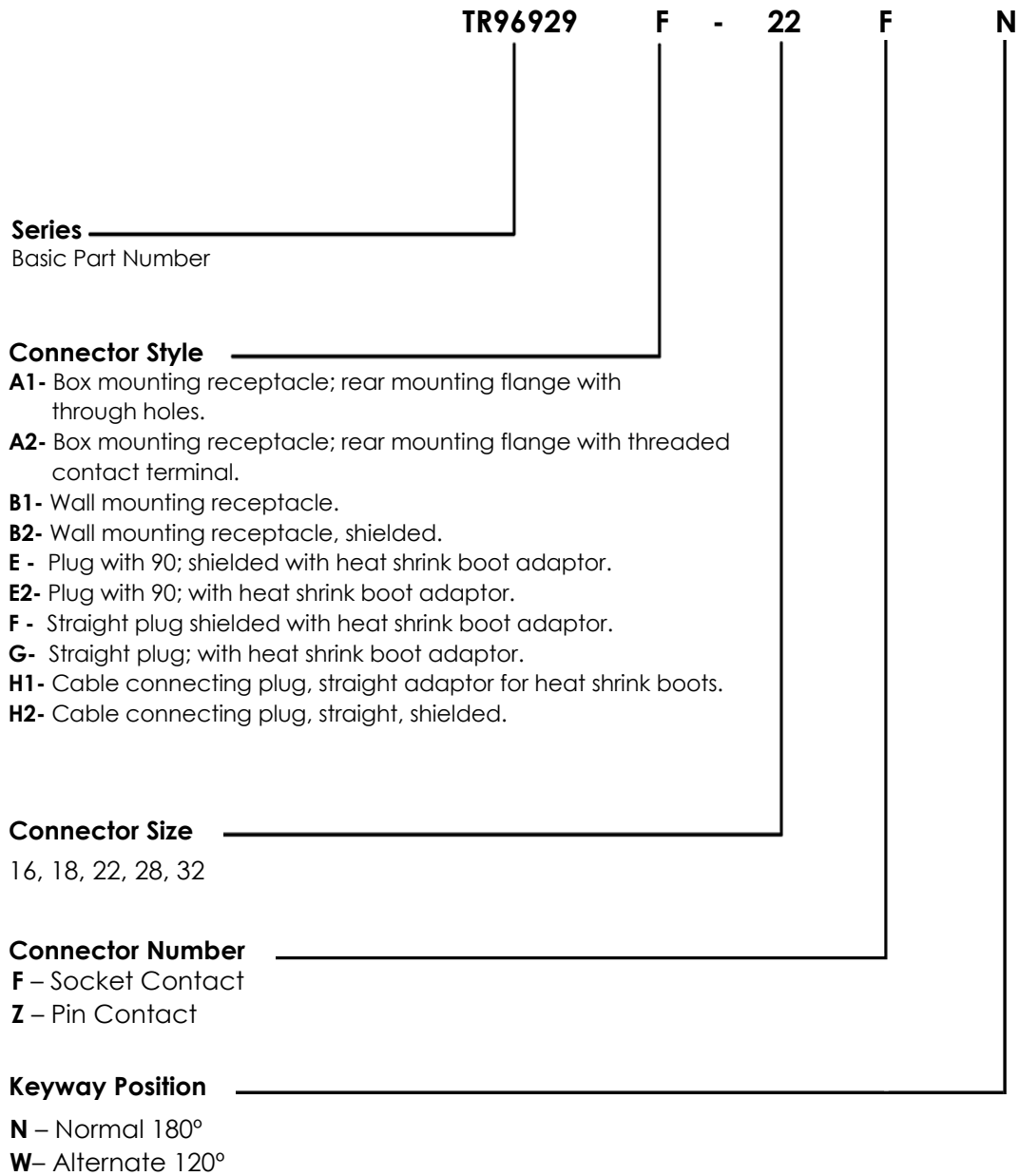
PLUG MATING SIDE



HOW TO ORDER / VG Order Reference



HOW TO ORDER / ATP Order Reference

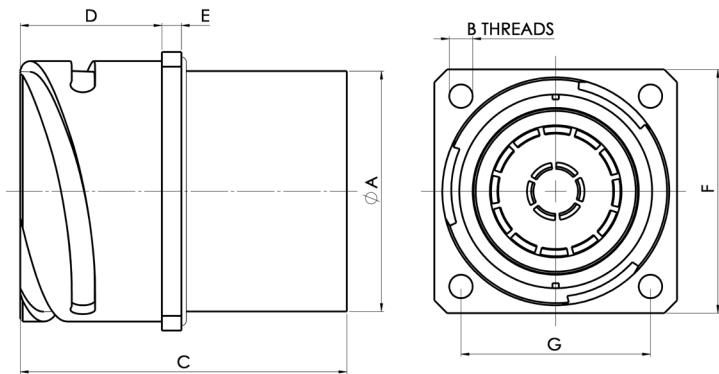


BOX MOUNTING RECEPTACLE

TR96929A1

VG96929A1 STYLE
CGE2E...B-04 STYLE

Box mounting receptacle,
rear panel mounting,
four threaded holes in
flange.



SHELL SIZE	A ±0,15 [±.006]	B THREADS	C ±0,3 [±.012]	D ±0,3 [±.012]	E ±0,1 [±.004]	F ±0,3 [±.012]	G ±0,1 [±.004]
16	22,7 [1.893]	M4	41,0 [1.614]	20,00 [1.787]	3,2 [1.26]	32,5 [1.280]	24,6 [1.969]
18	27,0 [1.063]	M4	50,0 [1.969]	23,15 [1.911]	4,0 [1.57]	35,0 [1.378]	27,0 [1.063]
22	34,9 [1.374]	M4	54,0 [2.126]	23,15 [1.911]	4,0 [1.57]	41,0 [1.614]	31,8 [1.252]
28	44,4 [1.748]	M5	65,3 [2.571]	24,15 [1.951]	4,0 [1.57]	50,8 [2.000]	39,7 [1.563]
32	49,2 [1.937]	M5	66,8 [2.630]	29,00 [1.142]	4,0 [1.57]	57,0 [2.244]	44,5 [1.752]

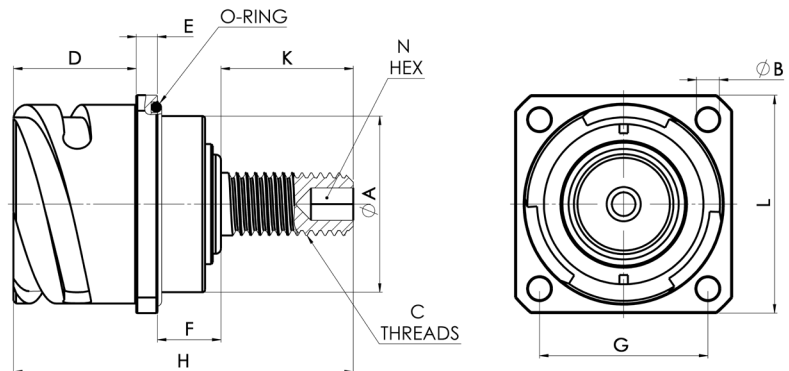
Dimensions in brackets [] are in inches.
Size 16 not listed in VG96929.

BOX MOUNTING RECEPTACLE

TR96929A2

VG96929A2 STYLE
CGE2E...B-16 STYLE

Box mounting receptacle
front panel mounting,
through holes in flange,
threaded bolt termination
for solid copper rail.



SHELL SIZE	A ±0,15 [±.006]	B THRU HOLE	C THREADS	D ±0,3 [±.012]	E ±0,2 [±.008]	F ±1,5 [±.060]		G ±0,1 [±.004]	H MAX.	K ±0,1 [±.004]	L ±0,3 [±.012]	N HEX ±0,1 [±.004]
						SPRING CONTACT	CYLINDER CONTACT					
18	26,9 [1.059]	4,3 [1.170]	M8	23,05 [1.907]	4,0 [1.57]	12,0 [4.72]	12,0 [4.72]	27,0 [1.063]	55,0 [2.165]	15,0 [1.591]	35,0 [1.378]	3,0 [1.18]
22	33,2 [1.307]	4,3 [1.170]	M12	23,05 [1.907]	4,0 [1.57]	13,5 [5.32]	12,0 [4.72]	31,8 [1.252]	66,0 [2.598]	25,0 [1.984]	41,0 [1.614]	6,0 [2.36]
28	42,8 [1.685]	4,3 [1.170]	M12	24,05 [1.947]	4,0 [1.57]	12,0 [4.72]	12,0 [4.72]	39,7 [1.563]	62,0 [2.441]	20,0 [1.787]	50,8 [2.000]	6,0 [2.36]
32	49,2 [1.937]	4,3 [1.170]	M16	28,90 [1.138]	4,0 [1.57]	14,0 [5.51]	14,0 [5.51]	44,5 [1.752]	78,0 [3.071]	30,0 [1.181]	57,0 [2.244]	8,0 [3.15]

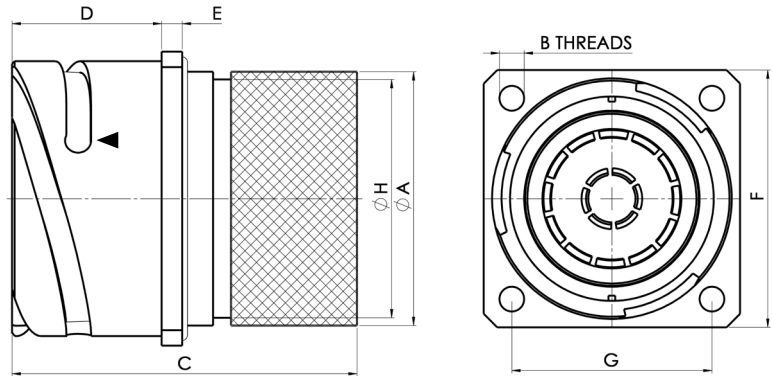
Dimensions in brackets [] are in inches.

WALL MOUNTING RECEPTACLE

TR96929B1

VG96929B1 STYLE
CGEOE...B-03 STYLE

Wall mounting receptacle,
rear panel mounting,
adapter for heat shrink
boot, four threaded
holes in flange.



SHELL SIZE	A MAX.	B THREADS	C $\pm 0,4$ [± 0.16]	D $\pm 0,3$ [± 0.12]	E $\pm 0,4$ [± 0.12]	F $\pm 0,3$ [± 0.12]	G $\pm 0,1$ [± 0.04]	H MAX
16	22,7 [1.893]	M4	41,0 [1.614]	20,00 [.787]	3,2 [.126]	32,5 [1.280]	24,6 [.969]	20,3 [.799]
18	28,4 [1.118]	M4	50,0 [1.969]	23,05 [.907]	4,0 [.157]	35,0 [1.378]	27,0 [1.063]	25,8 [1.015]
22	35,3 [1.389]	M4	54,0 [2.126]	23,05 [.907]	4,0 [.157]	41,0 [1.614]	31,8 [1.252]	33,0 [1.299]
28	44,8 [1.763]	M5	65,3 [2.571]	24,05 [.947]	4,0 [.157]	50,8 [2.000]	39,7 [1.563]	41,3 [1.626]
32	49,6 [1.952]	M5	66,8 [2.630]	28,90 [1.138]	4,0 [.157]	57,0 [2.244]	44,5 [1.752]	46,1 [1.815]

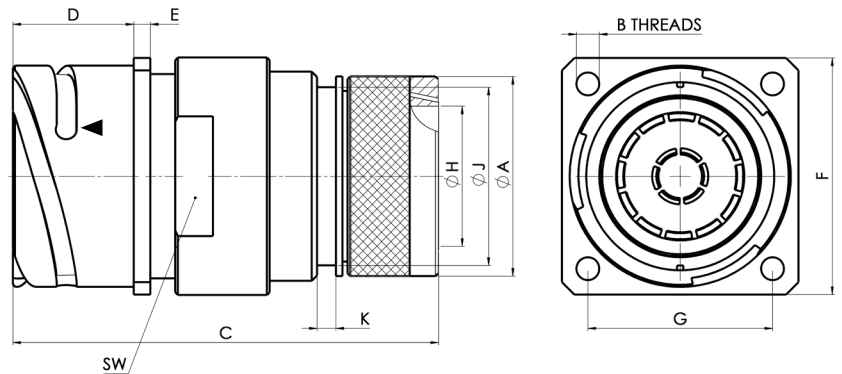
Dimensions in brackets [] are in inches.

WALL MOUNTING RECEPTACLE

TR96929B2

CGEOE...B-04-14 STYLE

Wall mounting receptacle,
rear panel mounting,
shielded, four threaded
holes in flange.



SHELL SIZE	A MAX	B THREADS	C MAX	D $\pm 0,3$ [± 0.12]	E $\pm 0,3$ [± 0.12]	F $\pm 0,3$ [± 0.12]	G $\pm 0,1$ [± 0.04]	H MIN.	K $\pm 0,2$ [± 0.08]	J MAX	SW
16	26,0 [1.023]	M4	68,0 [2.677]	20,00 [.787]	3,2 [.126]	32,5 [1.279]	24,6 [.968]	15,5 [.610]	3,5 [.138]	20,3 [.799]	26,0 [1.023]
18	32,0 [1.260]	M4	73,5 [2.893]	23,05 [.907]	4,0 [.157]	35,0 [1.378]	27,0 [1.063]	20,0 [.787]	3,5 [.138]	25,8 [1.015]	32,0 [1.260]
22	37,0 [1.456]	M4	84,0 [3.307]	23,05 [.907]	4,0 [.157]	41,0 [1.614]	31,8 [1.252]	25,5 [1.004]	3,5 [.138]	33,0 [1.299]	38,0 [1.496]
28	44,0 [1.732]	M5	99,0 [3.897]	24,05 [.947]	4,0 [.157]	50,8 [2.000]	39,7 [1.563]	32,0 [1.260]	3,5 [.138]	41,3 [1.626]	50,0 [1.968]
32	51,6 [2.031]	M5	99,0 [3.897]	28,90 [1.138]	4,0 [.157]	57,0 [2.244]	44,5 [1.752]	38,0 [1.496]	3,5 [.138]	46,1 [1.815]	52,0 [2.047]

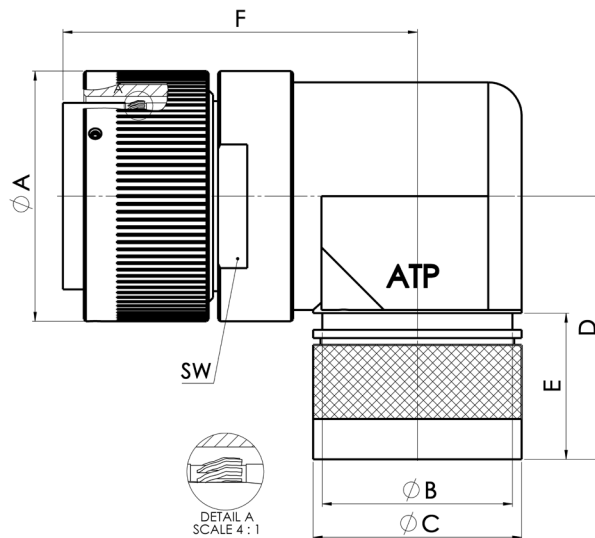
Dimensions in brackets [] are in inches.

90 DEGREE PLUG

TR96929E

VG96929E STYLE
CGE8E...B-14 STYLE

90° Plug connector with grounding fingers for EMI/RFI braided shielding termination and shrink boot, and set screw termination.



SHELL SIZE	A MAX.	B MAX.	C MAX.	D MAX.	E MAX.	F MAX.	SW
22	43,1 [1.697]	39,0 [1.535]	42,5 [1.673]	57,0 [2.244]	41,5 [1.639]	81,0 [3.189]	38,0 [1.496]
28	53,5 [2.106]	43,7 [1.720]	48,0 [1.890]	58,0 [2.283]	41,5 [1.639]	79,0 [3.110]	50,0 [1.969]
32	60,1 [2.366]	48,6 [1.913]	52,5 [2.067]	65,0 [2.559]	41,5 [1.639]	84,0 [3.307]	52,0 [2.047]

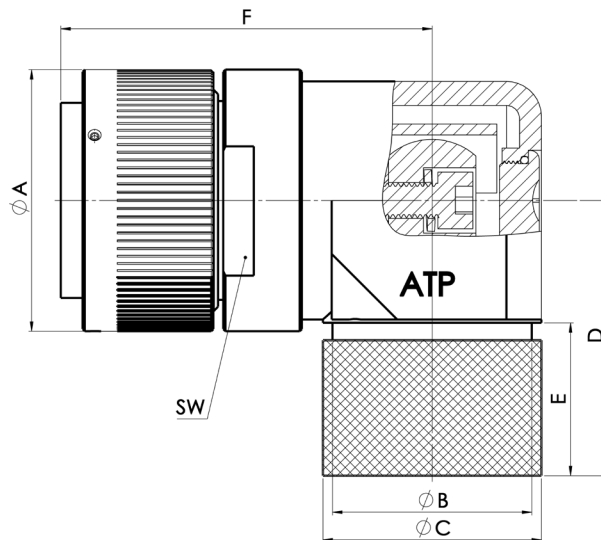
Dimensions in brackets [] are in inches.

90 DEGREE PLUG

TR96929E2

CGE8E...B-03 STYLE

90° plug with adapter for heat shrink boots.



SHELL SIZE	A MAX.	B MAX.	C MAX.	D MAX.	E MAX.	F MAX.	SW
22	43,1 [1.697]	39,0 [1.535]	42,5 [1.673]	57,0 [2.244]	41,5 [1.639]	81,0 [3.189]	38,0 [1.496]
28	53,5 [2.106]	43,7 [1.720]	48,0 [1.890]	58,0 [2.283]	41,5 [1.639]	79,0 [3.110]	50,0 [1.969]
32	60,1 [2.366]	48,6 [1.913]	52,5 [2.067]	65,0 [2.559]	41,5 [1.639]	84,0 [3.307]	52,0 [2.047]

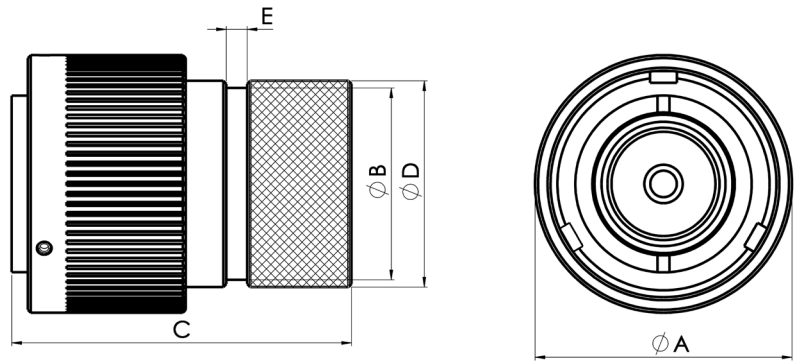
Dimensions in brackets [] are in inches.

STRAIGHT PLUG

TR96929G

VG96929G STYLE
CGE6E...B-03 STYLE

Straight Plug, adapter for heat shrink boots.



SHELL SIZE	A MAX.	B MAX.	C MAX.	D MAX.	E
16	32,0 [1.260]	20,3 [.799]	44,0 [1.732]	22,7 [.894]	3,5 [.138]
18	36,5 [1.437]	25,8 [1.015]	53,0 [2.086]	28,4 [1.118]	3,5 [.138]
22	43,1 [1.696]	31,5 [1.240]	57,0 [2.244]	35,3 [1.390]	3,5 [.138]
28	53,5 [2.106]	41,3 [1.626]	65,0 [2.559]	44,8 [1.764]	3,5 [.138]
32	60,1 [2.366]	46,1 [1.815]	65,0 [2.559]	49,6 [1.953]	3,5 [.138]

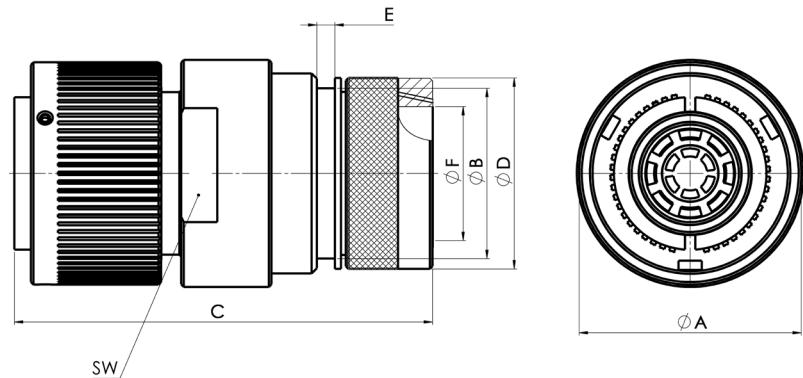
Dimensions in brackets [] are in inches.

STRAIGHT PLUG

TR96929F

VG96929F STYLE
CGE6E...B-14 STYLE

Straight Plug connector with grounding fingers and adapter for EMI/RFI braided shielding termination and shrink boot.



SHELL SIZE	A MAX.	B MAX.	C MAX.	D MAX.	E	F MIN.	SW
16	32,0 [1.260]	20,3 [.799]	70,0 [2.756]	26,0 [1.023]	3,5 [.138]	15,5 [.610]	26,0 [1.023]
18	36,5 [1.437]	25,8 [1.015]	76,0 [2.992]	32,0 [1.260]	3,5 [.138]	20,0 [.787]	32,0 [1.260]
22	43,1 [1.696]	31,5 [1.240]	86,0 [3.386]	37,0 [1.456]	3,5 [.138]	25,5 [1.004]	38,0 [1.496]
28	53,5 [2.106]	41,3 [1.626]	98,0 [3.858]	44,0 [1.732]	3,5 [.138]	32,0 [1.260]	50,0 [1.968]
32	60,1 [2.366]	46,1 [1.815]	98,0 [3.858]	51,6 [2.031]	3,5 [.138]	38,0 [1.496]	52,0 [2.047]

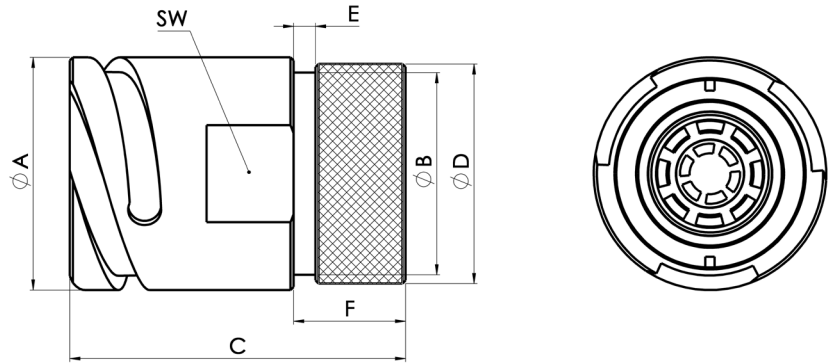
Dimensions in brackets [] are in inches.

CABLE CONNECTING PLUG

TR96929H1

CGE1E...B-03 STYLE

Cable connecting plug, straight, adapter for heat shrink boots, metric crimp contacts.



SHELL SIZE	A -0,15 [±006]	B MAX.	C ±0,3 [±012]	D MAX	E ±0,2 [±008]	F MAX	SW
18	30,8 [1.212]	25,8 [1.015]	50,0 [1.968]	28,4 [1.118]	3,5 [.138]	18,0 [.708]	28,0 [1.102]
22	37,4 [1.472]	33,0 [1.299]	54,0 [2.126]	35,3 [1.390]	3,5 [.138]	18,0 [.708]	34,0 [1.338]
28	46,7 [1.838]	41,3 [1.626]	65,3 [2.571]	44,8 [1.764]	3,5 [.138]	18,0 [.708]	43,0 [1.693]
32	53,4 [2.102]	46,1 [1.815]	66,8 [2.630]	49,6 [1.953]	3,5 [.138]	28,0 [1.102]	49,0 [1.929]

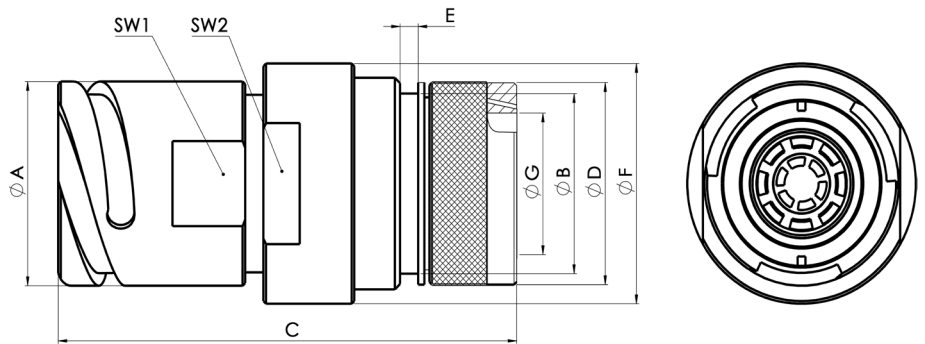
Dimensions in brackets [] are in inches.

CABLE CONNECTING PLUG

TR96929H2

CGE1E...B-14

Cable connecting plug, straight, shielded version, metric crimp contacts.

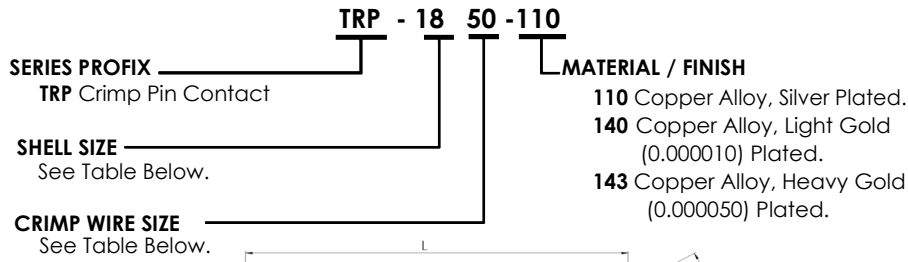


SHELL SIZE	A -0,15 [±006]	B MAX.	C MAX	D MAX	E ±0,2 [±008]	F MAX	G MIN	SW1	SW2
16	27,4 [1.079]	24,1 [.949]	72 [2.835]	26,0 [1.024]	3,5 [.138]	32,0 [1.260]	15,5 [.610]	23 [.905]	26 [1.024]
18	30,8 [1.212]	28,8 [1.134]	78 [3.071]	32,0 [1.260]	3,5 [.138]	36,5 [1.437]	20,0 [.787]	27 [1.063]	32 [1.260]
22	37,4 [1.472]	34,1 [1.343]	87 [3.425]	37,0 [1.456]	3,5 [.138]	46,0 [1.811]	25,5 [1.004]	34 [1.338]	38 [1.496]
28	46,7 [1.838]	40,7 [1.602]	100 [3.937]	44,0 [1.732]	3,5 [.138]	53,0 [2.086]	32,0 [1.260]	44 [1.732]	50 [1.968]
32	53,4 [2.102]	47,3 [1.862]	103 [4.055]	51,6 [2.031]	3,5 [.138]	60,0 [2.362]	38,0 [1.496]	50 [1.968]	52 [2.047]

Dimensions in brackets [] are in inches.

CRIMP CONTACTS

PIN CONTACT

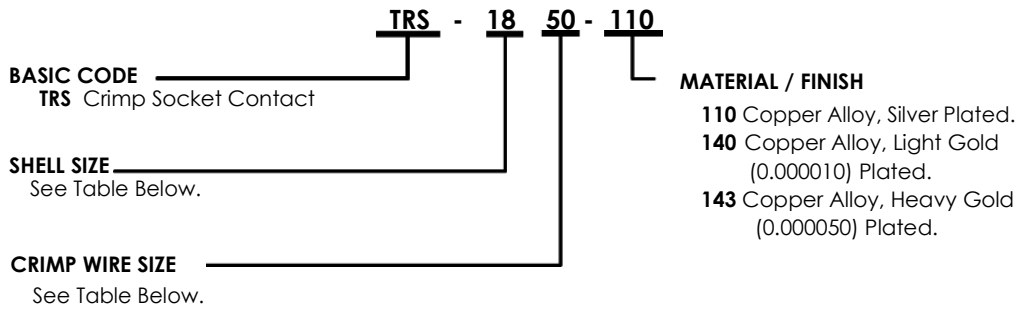


WIRE SIZE (mm ²)	SHELL SIZE	A +0,3/-0,0 [+0.012/-0.000]	B ±0,2 [±0.008]	C ±0,2 [±0.008]	D	E +1,0/-0,0 [+0.039/-0.000]	F	G	L REF.
25	16	7,7 [0.303]	10,9 [0.429]	14,0 [0.551]	11,0 [0.433]	2,0 [0.079]	3,45 [0.136]	10,45 [0.412]	37,8 [1.485]
50	18	11,2 [0.441]	16,0 [0.630]	15,0 [0.591]	13,0 [0.512]	2,0 [0.079]	4,45 [0.175]	12,45 [0.490]	46,4 [1.825]
95	22	16,2 [0.638]	21,0 [0.827]	20,5 [0.807]	18,5 [0.728]	2,0 [0.079]	6,45 [0.254]	17,45 [0.687]	48,5 [1.910]
150	28	20,9 [0.823]	27,0 [1.063]	28,0 [1.102]	25,5 [1.004]	2,0 [0.079]	7,95 [0.313]	24,35 [0.959]	56,8 [2.235]
240	32	26,8 [1.055]	31,6 [1.244]	30,0 [1.181]	27,0 [1.063]	2,0 [0.079]	11,45 [0.451]	30,40 [1.197]	56,8 [2.235]

Dimensions in brackets [] are in inches.

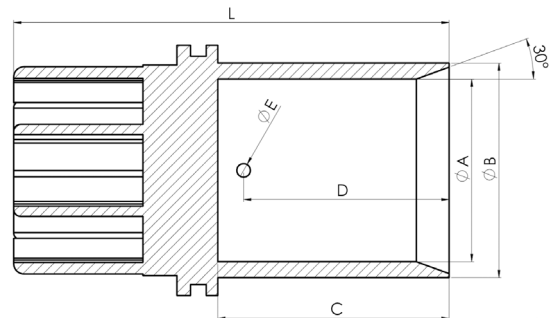


SOCKET CONTACT



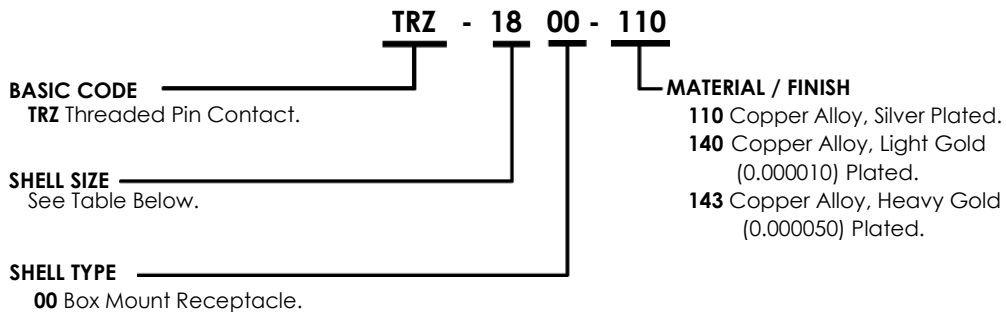
WIRE SIZE (mm ²)	SHELL SIZE	A +0,3/-0,0 [+0.012/-0.000]	B ±0,2 [±0.008]	C ±0,2 [±0.008]	D ±0,2 [±0.008]	E +1,0/-0,0 [+0.039/-0.000]	L REF.
25	16	7,7 [0.303]	10,9 [0.429]	14,0 [0.551]	11,0 [0.433]	2,0 [0.079]	37,8 [1.485]
50	18	11,2 [0.441]	16,0 [0.630]	15,0 [0.591]	13,0 [0.512]	2,0 [0.079]	46,4 [1.825]
95	22	16,2 [0.638]	21,0 [0.827]	20,5 [0.807]	18,5 [0.728]	2,0 [0.079]	48,5 [1.910]
150	28	20,9 [0.823]	27,0 [1.063]	28,0 [1.102]	25,5 [1.004]	2,0 [0.079]	56,8 [2.235]
240	32	26,8 [1.055]	31,6 [1.244]	30,0 [1.181]	27,0 [1.063]	2,0 [0.079]	56,8 [2.235]

Dimensions in brackets [] are in inches.



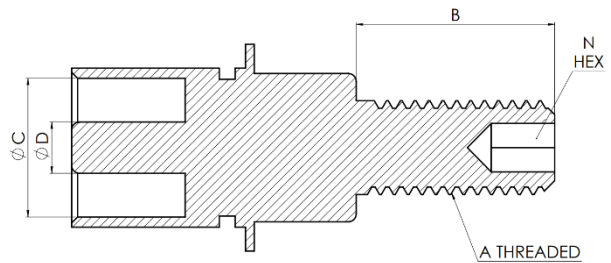
THREADED CONTACTS

PIN CONTACT

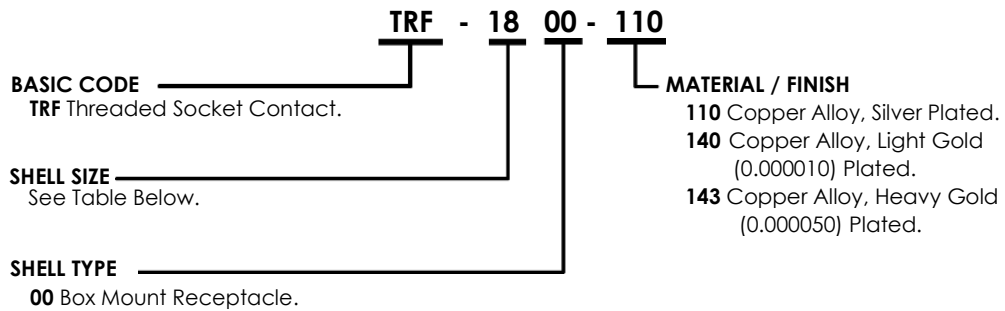


SHELL SIZE	A	B ±0.3 [±.012]	C	D	N HEX ±0.2 [±.008]
18	M8	15.0 [.591]	12.45 [.490]	4.45 [.175]	3.0 [.118]
22	M12	25.0 [.984]	17.45 [.687]	6.45 [.254]	6.0 [.236]
28	M12	20.0 [.787]	24.35 [.959]	7.95 [.313]	6.0 [.236]
32	M16	30.0 [1.181]	30.40 [1.197]	11.45 [.451]	8.0 [.315]

Dimensions in brackets [] are in inches.

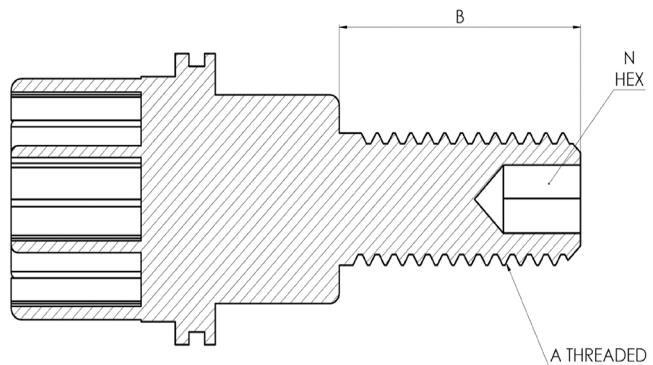


SOCKET CONTACT



SHELL SIZE	A	B ±0.3 [±.012]	N HEX ±0.2 [±.008]
18	M8	15.0 [.591]	3.0 [.118]
22	M12	25.0 [.984]	6.0 [.236]
28	M12	20.0 [.787]	6.0 [.236]
32	M16	30.0 [1.181]	8.0 [.315]

Dimensions in brackets [] are in inches.

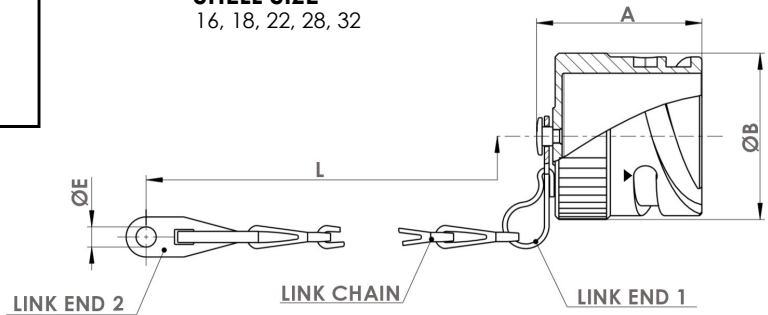


DUST CAP FOR PLUG / VG95234 KB-KC STYLE

BASIC CODE TR95234 KB 22

SHELL STYLE

KB; Dust Cap for plugs with chain
KC; Dust Cap for plugs with cord



SHELL SIZE	A MAX.	B MAX.	L ±10,0 [±.394]	ØE ±0,5 [±.019]
16	37,0 [1.456]	29,9 [1.177]	127,0 [5.000]	4,3 [1.69]
18	37,0 [1.456]	33,3 [1.311]	127,0 [5.000]	4,3 [1.69]
22	37,0 [1.456]	39,9 [1.571]	140,0 [5.512]	4,7 [1.85]
28	37,0 [1.456]	49,2 [1.937]	197,0 [7.756]	4,7 [1.85]
32	37,0 [1.456]	55,9 [2.200]	197,0 [7.756]	5,5 [2.16]

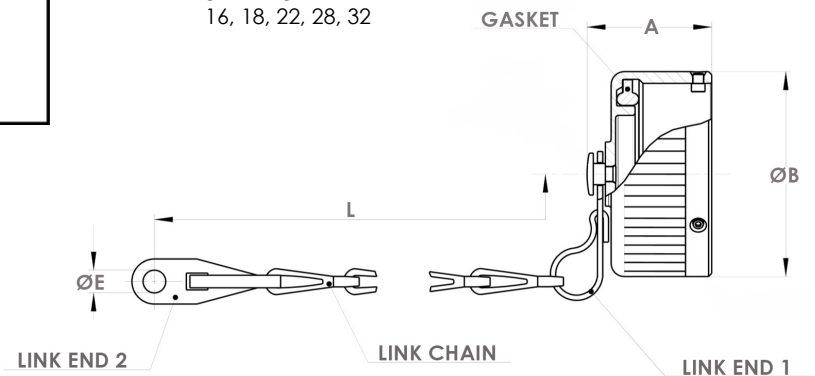
Dimensions in brackets [] are in inches.

DUST CAP FOR RECEPTACLE / VG95234 KR-KA STYLE

BASIC CODE TR95234 KR 22

SHELL STYLE

KR; Dust Cap for receptacles with chain.
KA; Dust Cap for receptacles with cord.



SHELL SIZE	A MAX.	B MAX.	L ±10,0 [±.394]	ØE ±0,5 [±.019]
16	24,5 [964]	32,6 [1.123]	113,0 [4.449]	4,3 [1.69]
18	24,5 [964]	36,7 [1.444]	113,0 [4.449]	4,3 [1.69]
22	24,5 [964]	43,3 [1.704]	127,0 [5.000]	4,3 [1.69]
28	24,5 [964]	52,6 [2.071]	169,0 [6.653]	5,5 [2.16]
32	24,5 [964]	59,3 [2.334]	169,0 [6.653]	5,5 [2.16]

Dimensions in brackets [] are in inches.



■ Connecting Technology with Confidence

